

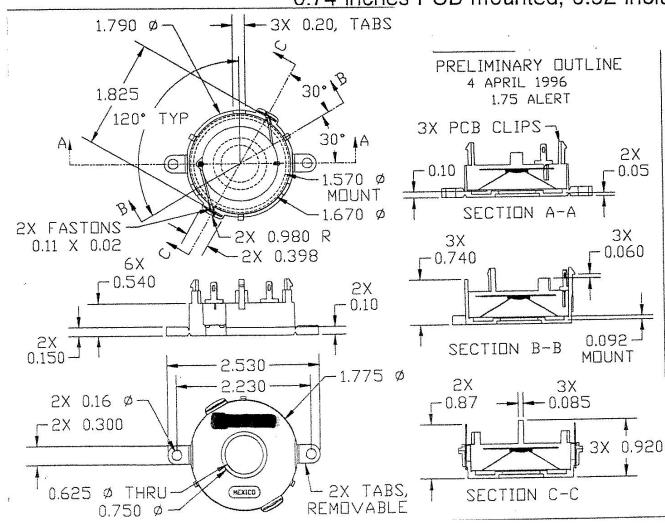
# 1.75 Alert



Features: Provides the following performance advantages:

- \* Sound Pressure Levels up to 116 db @ 1 meter, PCB mounted
- \* Multiple mounting options: PCB, Panel mount, Flange mount, Port/Horn interface
- \* Rugged construction for harsh environments

Sound Pressure Level:	110 db @ 1 ft, with 12.0V P-P Sine Wave
Frequency Response:	2200-4000 Hz
Drive Voltage - Continuous:	50V P-P Square Wave (With 20Ω series resistor) 85V P-P Sine Wave
Drive Voltage - Intermittent:	60V P-P Square Wave (With 20Ω series resistor) 100V P-P Sine Wave
Capacitance:	0.21 uF
Weight:	11.5 grams
Temperature Range - Operational:	-40 C to 105 C at 95% R.H.
Temperature Range - Storage:	-40 C to 105 C at 95% R.H.
Mounting Attachment Options:	PCB, Panel, Flange, Port/Horn Interface
Housing Material:	15% Glass Filled Polyester
Cone Material:	Formed Mylar
Diameter:	1.78 inches
Height:	0.74 inches PCB mounted, 0.92 including clips



Piezo Source  
 250 Gish Road  
 San Jose, Ca 95112  
 408-487-1700 Fax : 408-487-1707  
 E-mail: Sales@piezosource.com  
 Web : www.piezosource.com

